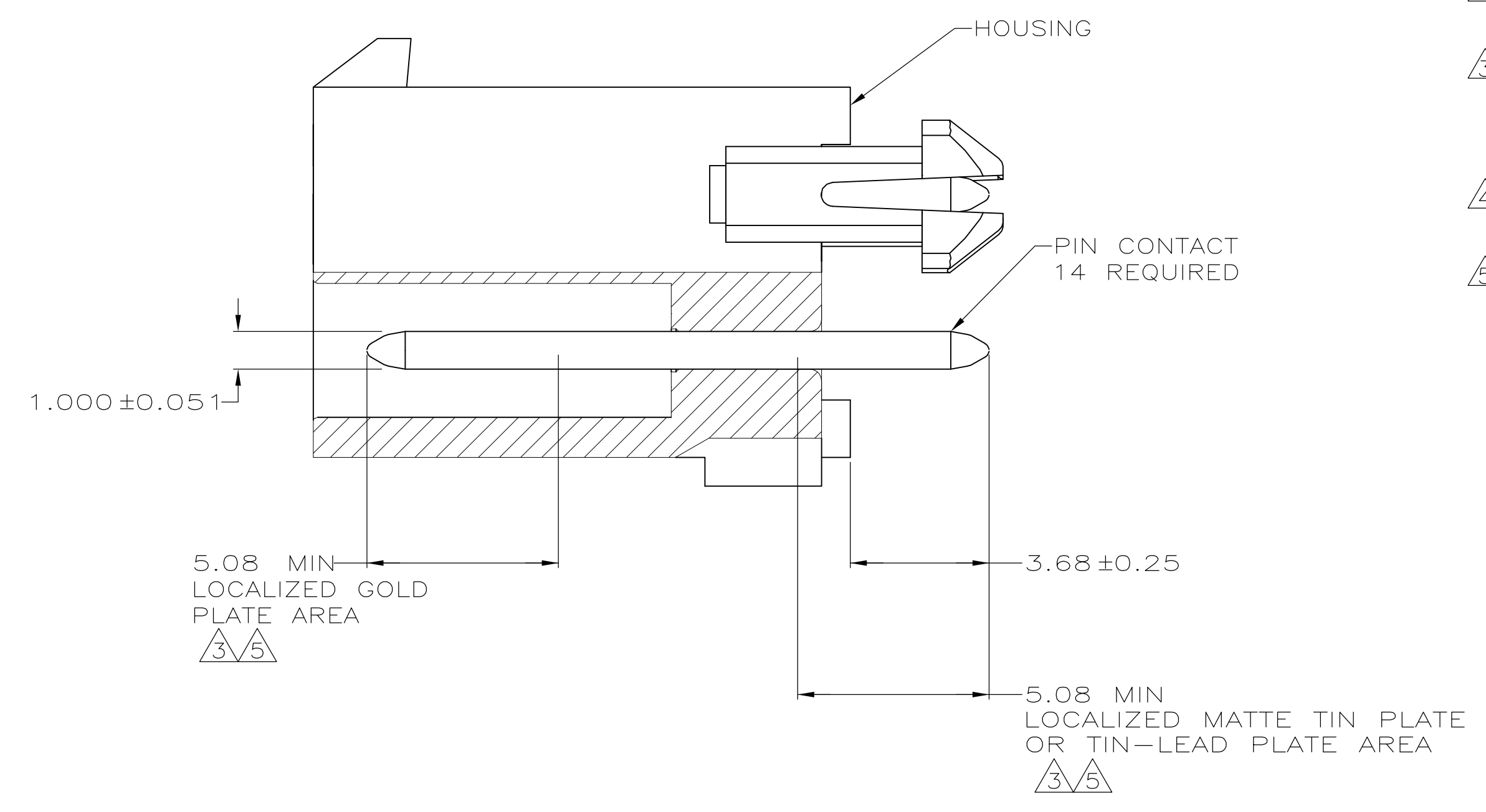
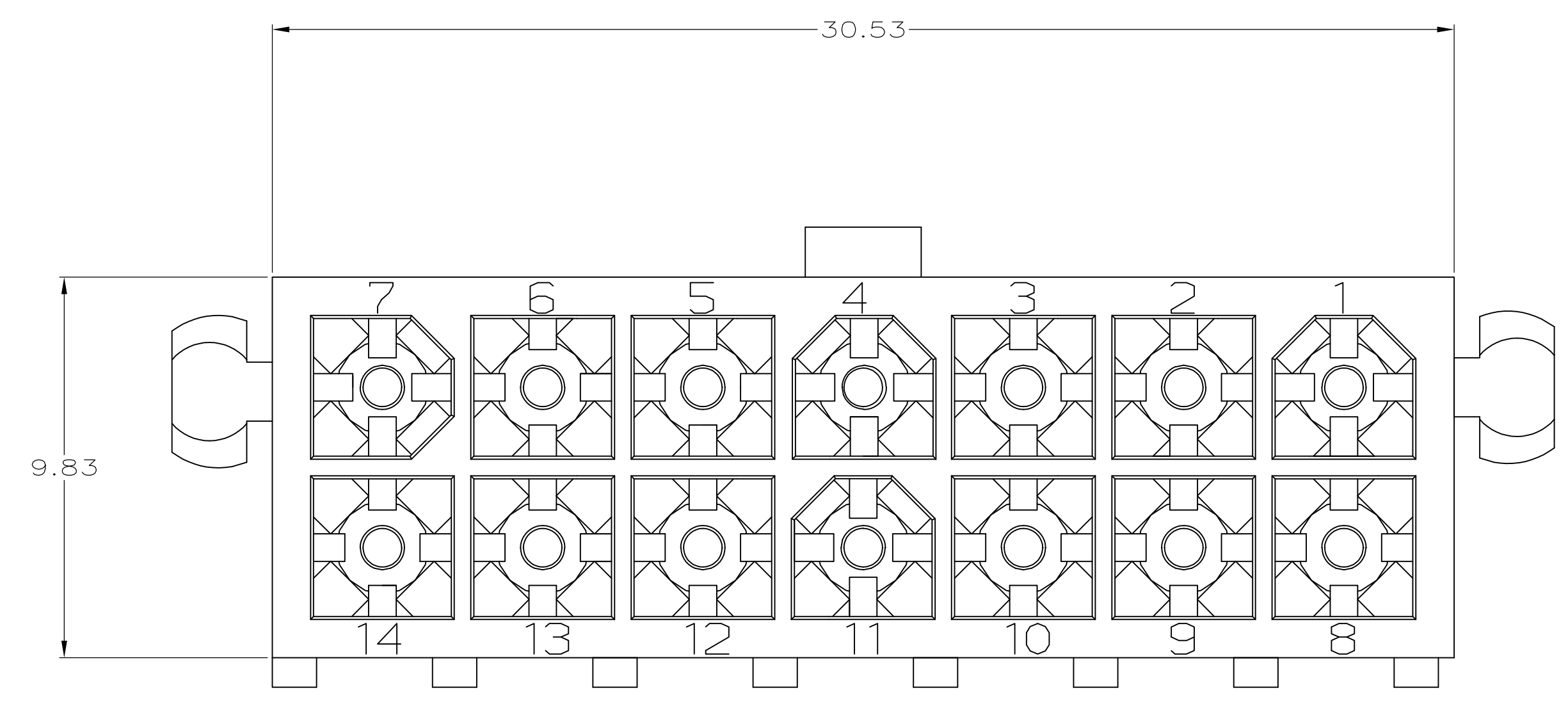
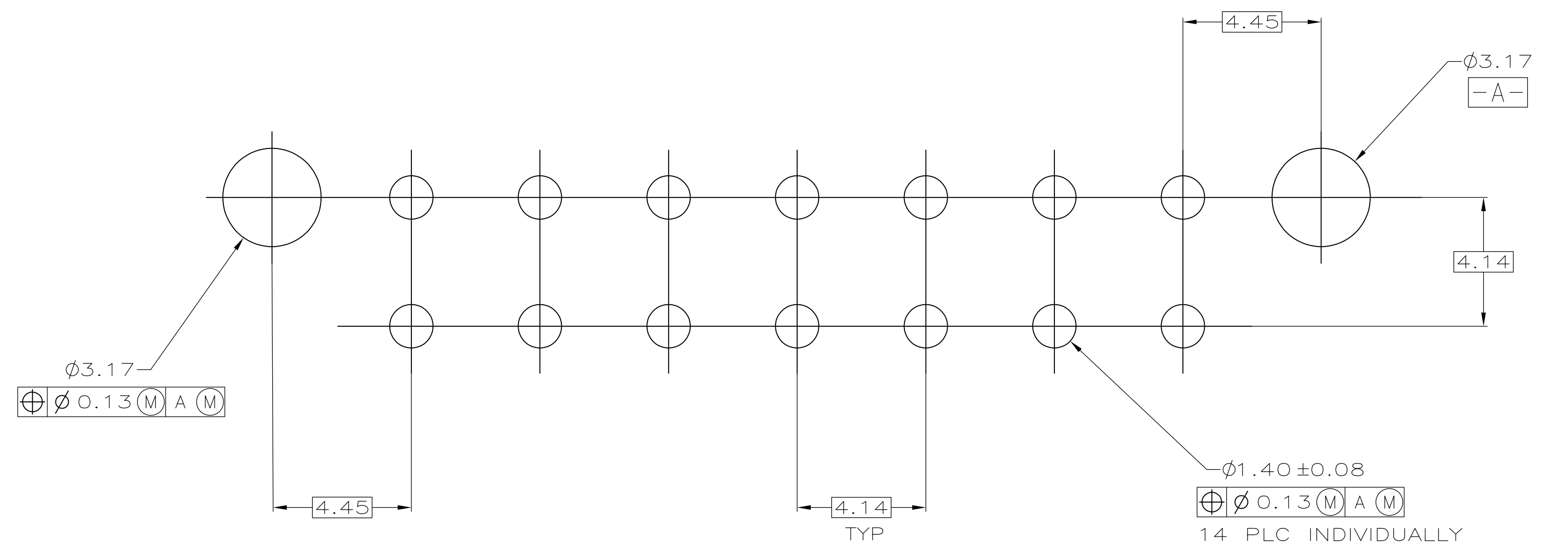
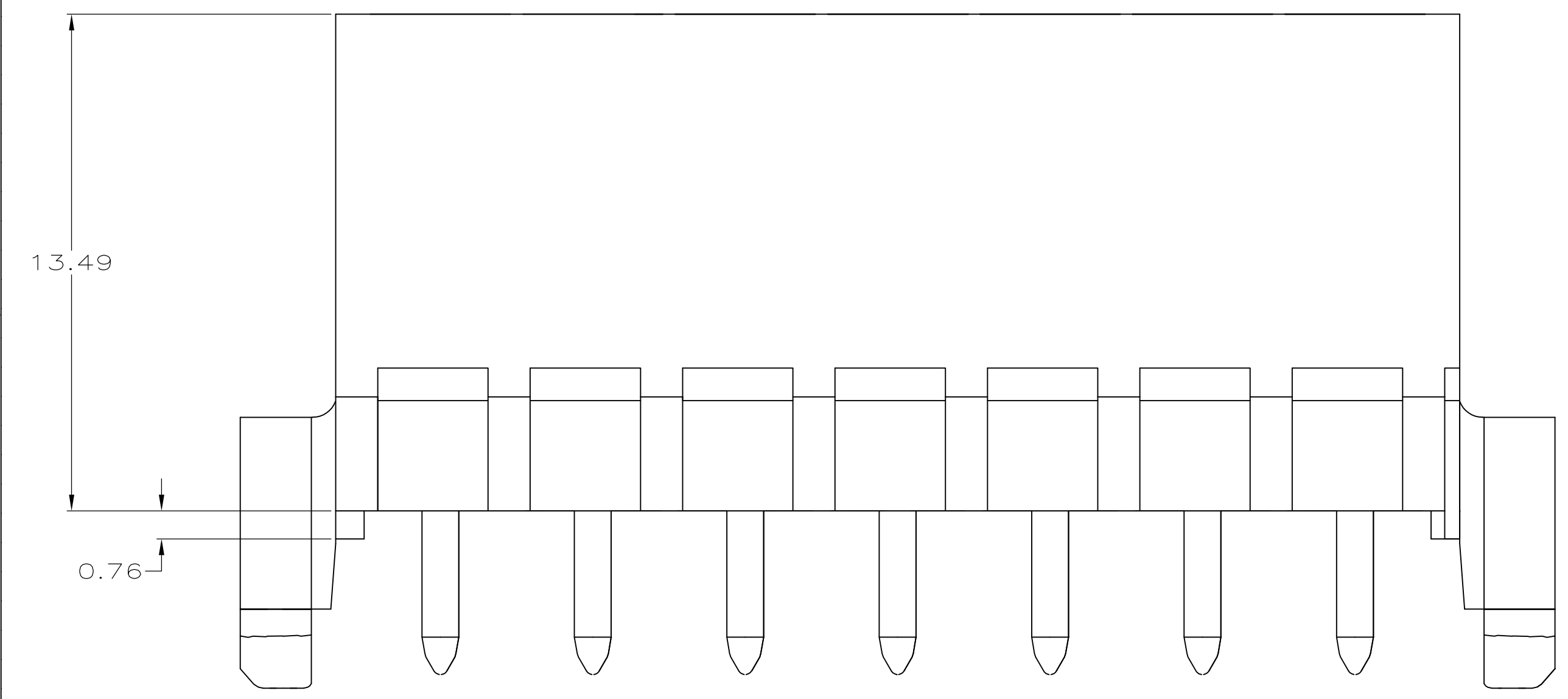


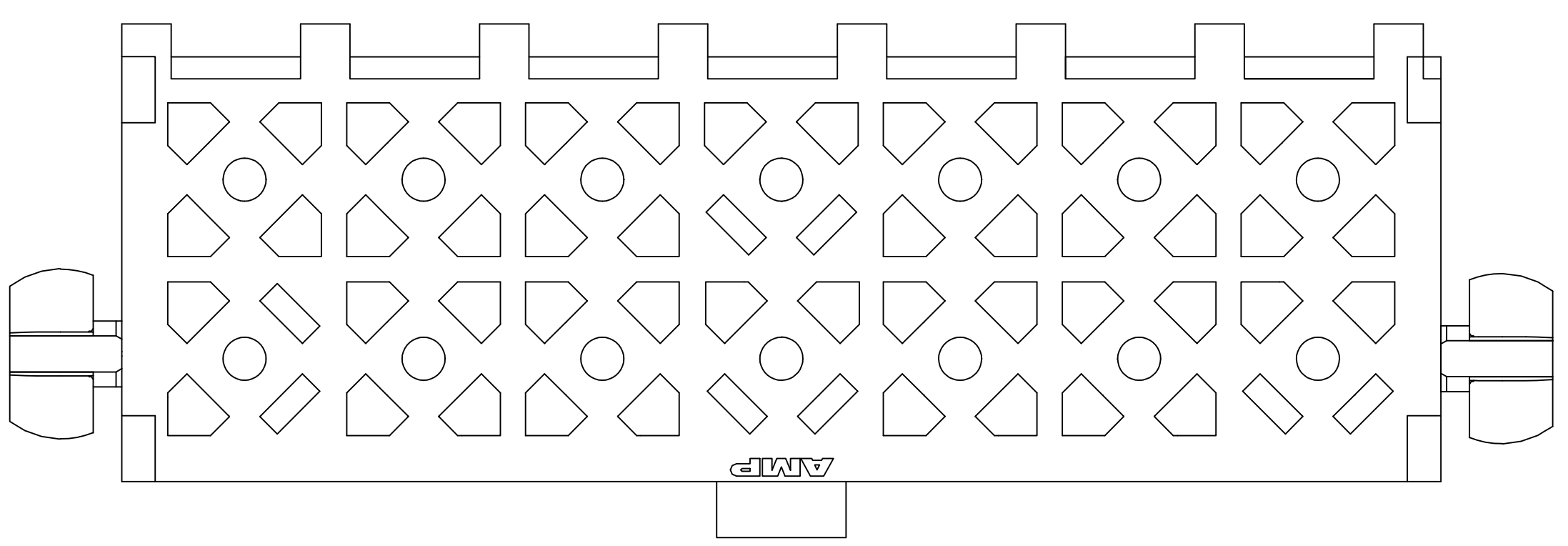
LOC		DIST		REVISIONS			
F	LTR	DESCRIPTION	DATE	DMN	APVD		
F		REVISED PER ECR-15-010337	23JUL2015	RK	SC		



- PINS TO COMPLY WITH AMP SOLDERABILITY SPEC. 109-11-3.
- 0.00381 MIN MATTE TIN LEAD OVER 0.00127 MIN NICKEL.
- 0.00076 MIN GOLD PLATE IN THE LOCALIZED PLATE AREA, 0.00381 MATTE TIN LEAD IN THE LOCALIZED PLATE AREA, BOTH OVER 0.00127 MIN NICKEL.
- 0.00381 MIN MATTE TIN OVER 0.00127 MIN NICKEL.
- 0.00076 MIN GOLD PLATE IN THE LOCALIZED PLATE AREA, 0.00381 MATTE TIN LEAD IN THE LOCALIZED PLATE AREA, BOTH OVER 0.00127 MIN NICKEL.



RECOMMENDED MOUNTING HOLE PATTERN FOR 1.57 THICK P.C. BOARD



MATERIAL	FINISH	HOUSING MATERIAL AND COLOR	PART NUMBER
BRASS, GOLD	5	NYLON, 94V-0, WHITE	1-794067-1
BRASS, TIN	4	NYLON, 94V-0, WHITE	1-794067-0
BRASS, GOLD	3	NYLON, 94V-0, WHITE	794067-2
BRASS, TIN LEAD	2	NYLON, 94V-0, WHITE	794067-1

THIS DRAWING IS A CONTROLLED DOCUMENT.

DIMENSIONS: mm 0. PLC ± - 1. PLC ± - 2. PLC ± 0.13 3. PLC ± - 4. PLC ± - ANGLES ± -	TOLERANCES UNLESS OTHERWISE SPECIFIED: 0. PLC ± - 1. PLC ± - 2. PLC ± 0.13 3. PLC ± - 4. PLC ± - ANGLES ± -	THIS DRAWING IS A CONTROLLED DOCUMENT. DWG: S CARPENTER CHK: R JONES DATE: 12AUG2003 NAME: R JONES PRODUCT SPEC: - APPLICATION SPEC: - WEIGHT: -	DBJUN05 12AUG2003 NAME: R JONES PRODUCT SPEC: - APPLICATION SPEC: - WEIGHT: -	TE Connectivity HEADER ASSEMBLY, 14 CKT, DOUBLE ROW VERTICAL, MINI UNIVERSAL MATE-N-LOK SIZE: A1 CAGE CODE: 00779 DRAWING NO: 794067 RESTRICTED TO: -
---	---	---	--	--

CUSTOMER DRAWING SCALE: 8:1 SHEET 1 OF 1 REV F